

As our population is growing, the necessity for innovation in horticulture is bigger than ever. A new type of horticulture is formed – plant factories. These new factories are using controlled environment facility using multilayer growing equipment to maximize space utilization.

FlexTech production module is an innovative solution designed for the emerging city farmers. The LED technology is not only energy saving, but also permits the fixture to be situated close to the plants, because there is no heat generation. The module can be daisy chain fixture to fixture or with accessory cable, which saves installation cost and time. To further improve the performance, we use special liquid potting to protect the light source. Thanks to numerous research conducted with leading universities and research centers, we understand the necessities of the plants and work for optimizing our light recipes. With high protection rate of IP65 and 50 000h lifespan FlexTech ensures positive growing results in any facility.



## Features and Benefits

- Simple, elegant looking and light heat sink design.
- Available in different PPF output packages to meet all of your applications requirements
- Ambient operating temperatures: -20 °C to 55°C
- Beam angle 120°
- Daisy chain up to 10 pcs
- Special liquid potting technology
- Different lengths

## Applications

- Plant factories

### CERTIFICATES AND STANDARDS

THE PRODUCT IS CERTIFIED OR IN COMPLIANCE TO VARIOUS REGULATORY REQUIREMENTS



## Product Selection Guide

Product Group	Power (W)	PPF( $\mu\text{mol/s}$ )	Driver
Module 1.2m	36	~90	Integrated
Module 1.5m	45	~113	Integrated

## Technical Data

### General Characteristics

Average Rated Life (hrs)	>50000
Energy Saving Product	Yes
Switching Cycle	>50000X
IP Factor	IP 65
Length (mm)	1200/1500/Custom
Width (mm)	50
Height (mm)	49
Product Weight (grams)	1200

### Electrical Characteristics

Nominal Rated Wattage (W)	36/45
Voltage (V)	220~240
Frequency (Hz)	50/60
Power Factor	> 0.9
Dimmable	No
Starting Time	< 1s

### Optical Characteristics:

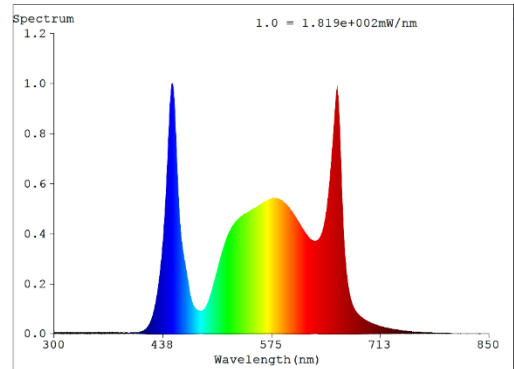
Beam Angle (deg)	120°
Rated Average PPF ( $\mu\text{mol/s}$ )	See Table 1
LLMF – End Nominal Lifetime	70%

### Temperature Characteristics:

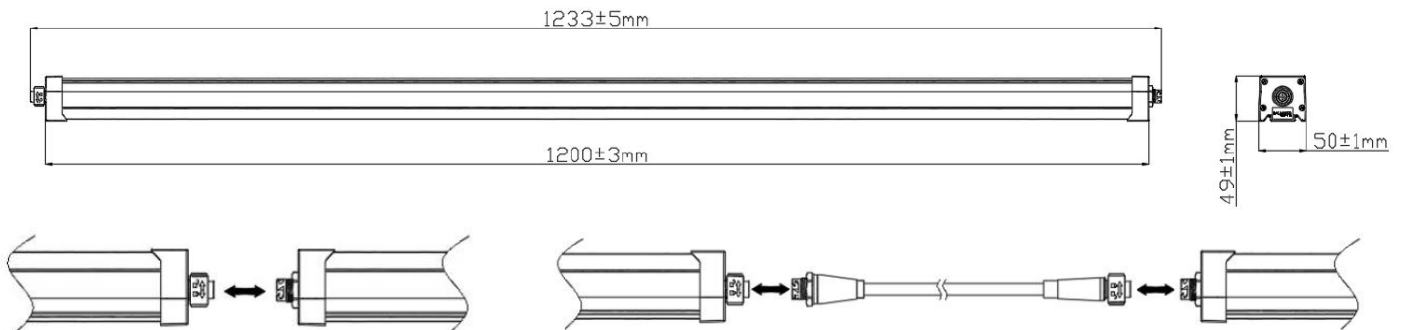
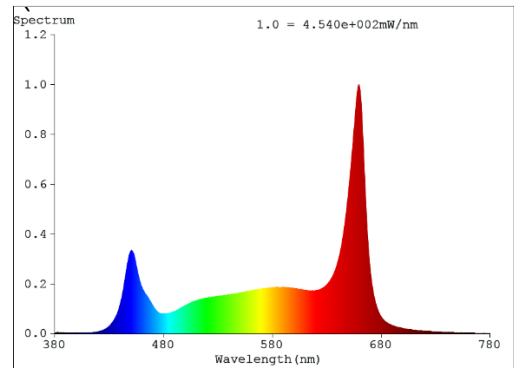
Maximum Case Temperature ( $^{\circ}\text{C}$ )	65
Operating Temperature ( $^{\circ}\text{C}$ )	0 to 40
Storage Temperature ( $^{\circ}\text{C}$ )	-30 to 80

## Light Distribution Curve

### Twin Peaks

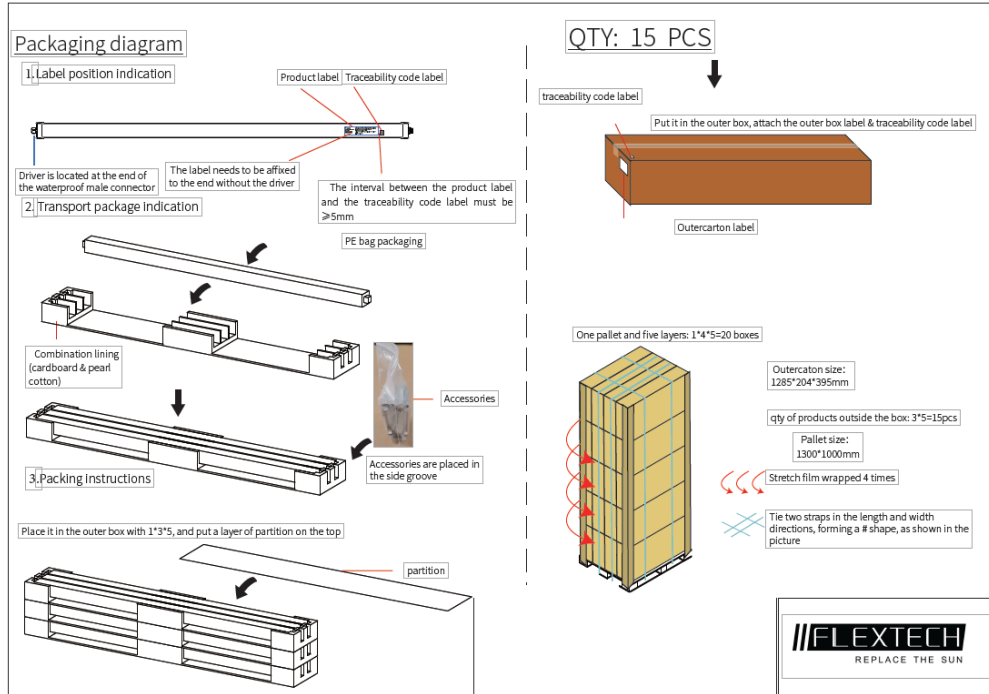


### Red Blast



## Packaging and Shipping

Box Size	QTY/Carton	CBM/Carton	Weight (G.W. KG)
1285/1475*204*395mm	15	0.104	18.5



### DISCLAIMERS

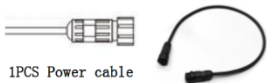
*All precautions and instructions must be carefully followed as per the guidelines provided on the package. The limited warranty does not apply to any damage or failure due to any natural act, or from misuse, abuse, abnormal use, improper power supply, power surges or fluctuations, or any use or installation in violation of the instructions or restrictions prescribed by Flextech Solutions or any applicable standard or code, including those contained in latest Nation Electrical Code, UL, or ANSI.*

### Accessories Included



2PCS Snaps

### Accessories for purchasing



1PCS Power cable

If you have any enquiries and questions, please contact us.  
XIAMEN FLEXTech SOLUTION CO.,LTD

